



mQuvée

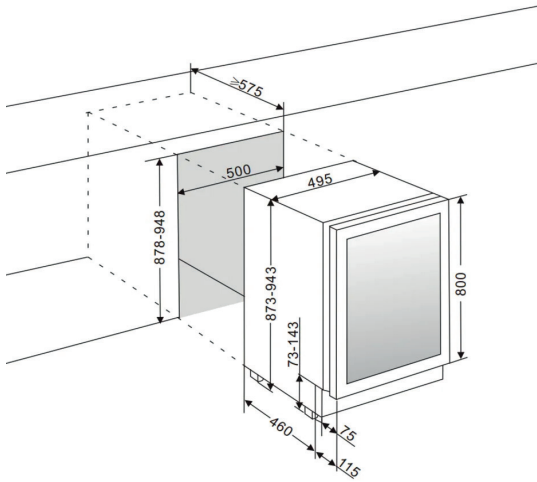


WINECAVE 50D | 800

- mQuvée under-counter wine cooler

PRODUCT SPECIFICATION

- Can be built-in under your kitchen counter or free-standing
- 2 adjustable temperature zones (5-20 °C)
- Sliding wood shelves
- Compressor cooling
- Fan assistance for balanced temperature
- Seamless-door (*no joints*)
- Reversible, UV-protected glass door

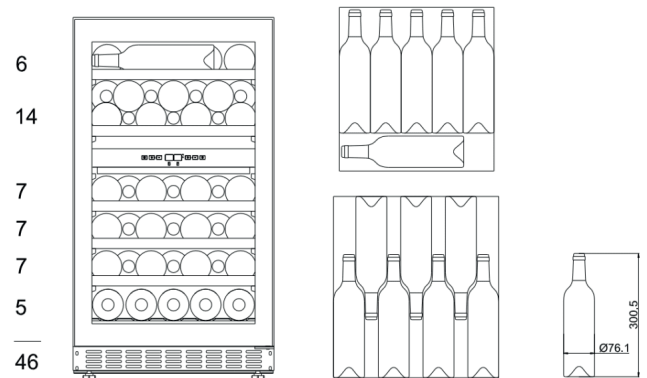


SIZE AND DIMENSIONS

- 800 mm door height
- Dimensions: (*Width x Height x Depth*)
49.5 x 87.3/94.3 x 57.5 cm
- Weight: 52 kg
- Space for about 46 bottles

OTHER SPECIFICATIONS

- Automatic defrosting
- Winter safety
- ON/OFF-for electricity
- Adjustable feet 7 cm
- LED-lighting with ON/OFF- button
- Digital display for temperature (white)
- Touch-control panel
- Alarm for low/high temperatures
- Alarm for open door



AVAILABLE IN:

Fullglass black



Stainless steel



Custom made



TECHNICAL DATA

- Voltage: 220-240 V
- Noise level: 36 dB (A)
- Energy class: F
- Climate class: ST
- Effect: 100 W
- Annual power consumption: 103 kWh