



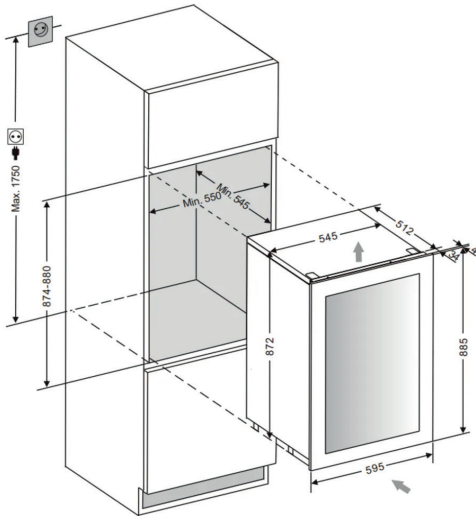
*mQuvée*



**WINEKEEPER 49D**  
- mQuvée integrated wine cooler

**PRODUCT SPECIFICATION**

- Can be integrated into kitchen cabinets.
- 2 adjustable temperature zones (5-20 °C)
- Sliding wood shelves
- Compressor cooling
- Fan assistance for balanced temperature
- Seamless/Glass door
- Reversible, UV-protected glass door

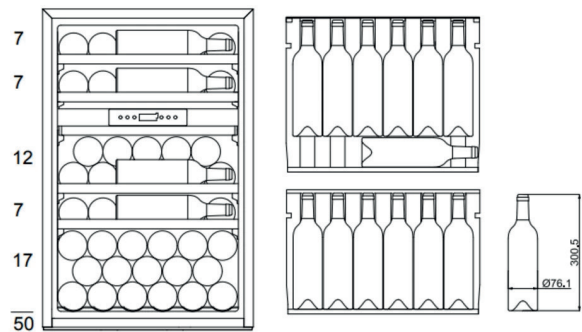


## SIZE AND DIMENSIONS

- Dimensions: (*Width x Height x Depth*)  
59.5 x 87.5/88.5 x 55 cm
- Weight: 50 kg
- Space for about 50 bottles

## OTHER SPECIFICATIONS

- Automatic defrosting
- Winter safety
- ON/OFF-for electricity
- Concealed front ventilation
- LED-lighting with ON/OFF- button
- Digital display for temperature (white)
- Touch-control panel
- Alarm for low/high temperatures
- Alarm for open door



## AVAILABLE IN:

Stainless steel



Fullglass black



Custom made



## TECHNICAL DATA

- Voltage: 220-240 V
- Noise level: 35 dB (A)
- Energy class: G
- Climate class: ST
- Effect: 100 W
- Annual power consumption: 143 kWh