



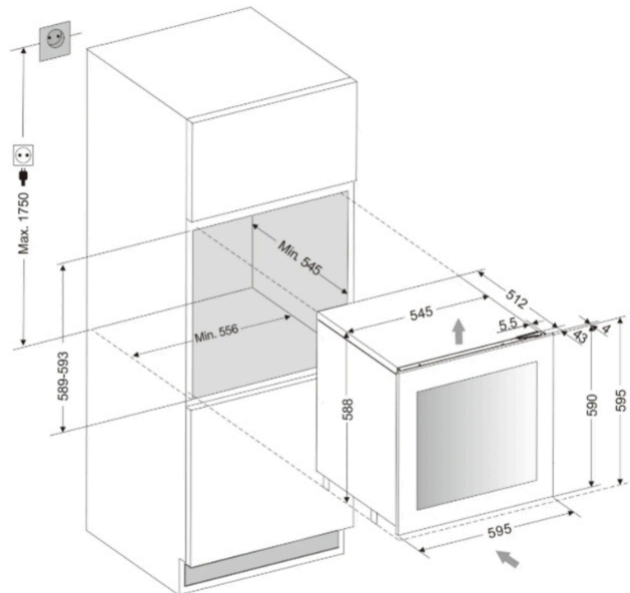
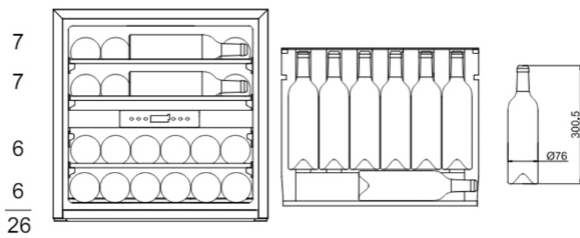
mQuvée

WINEKEEPER Excl. 25D Tip-On - mQuvée integrated wine cooler



PRODUCT SPECIFICATION

- Modern black or custom design
- Can be completely built-in and integrated
- 2 adjustable zones (*5-22 degrees*)
- 3 sliding wooden shelves with steel front
- Compressor cooling
- Fan cooling for balanced temperature (interior)
- Seamless-door (*door without joins*)
- UV-protected glass door
- Reversible glass door



SPACE FOR 26 BOTTLES

AVAILABLE IN

Fullglass Black



Panel ready



SIZE AND DIMENSIONS

- Dimensions: (*Width x Height x Depth*)
59.2 x 59.5 x 55.9 cm
- Weight: 38 kg
- Space for 26 bottles

TECHNICAL DATA

- Voltage: 220-240 V
- Climate class: SN-ST
- Energy class: F
- Noise level: 35 db(A)
- Annual power consumption: 99 kW

OTHER SPECIFICATION

- Low vibration for perfect storing your wine bottles
- Automatic defrosting
- Winter safety system
- Carbon filter to prevent odours
- Water container for additional adjustment of humidity
- ON/OFF-for electricity
- LED-lighting with ON/OFF- button
- Digital display for temperature (white)
- Control panel in wine cooler
- Low/high temperature alarm
- Open door alarm

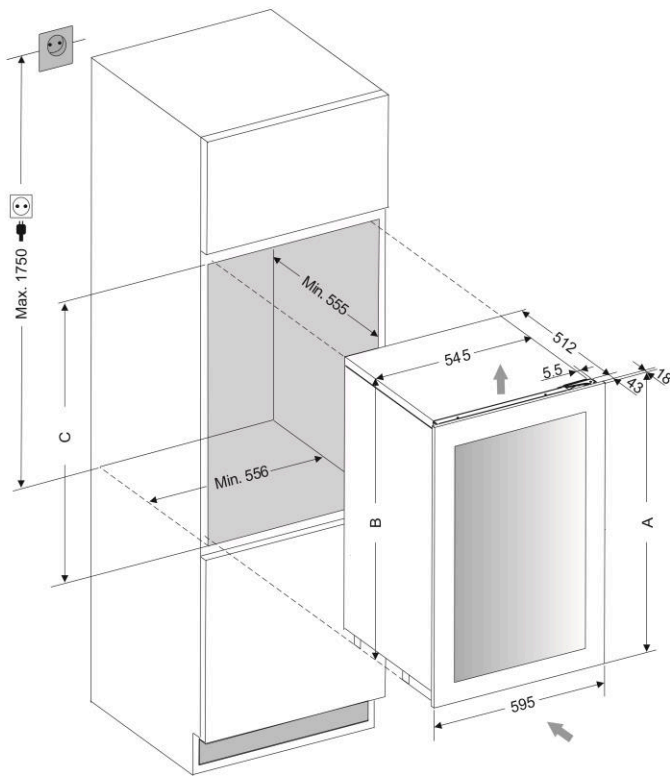
Overlay Panel Glass Door Design Guide

- Fully integrated models

Door Panel Preparation

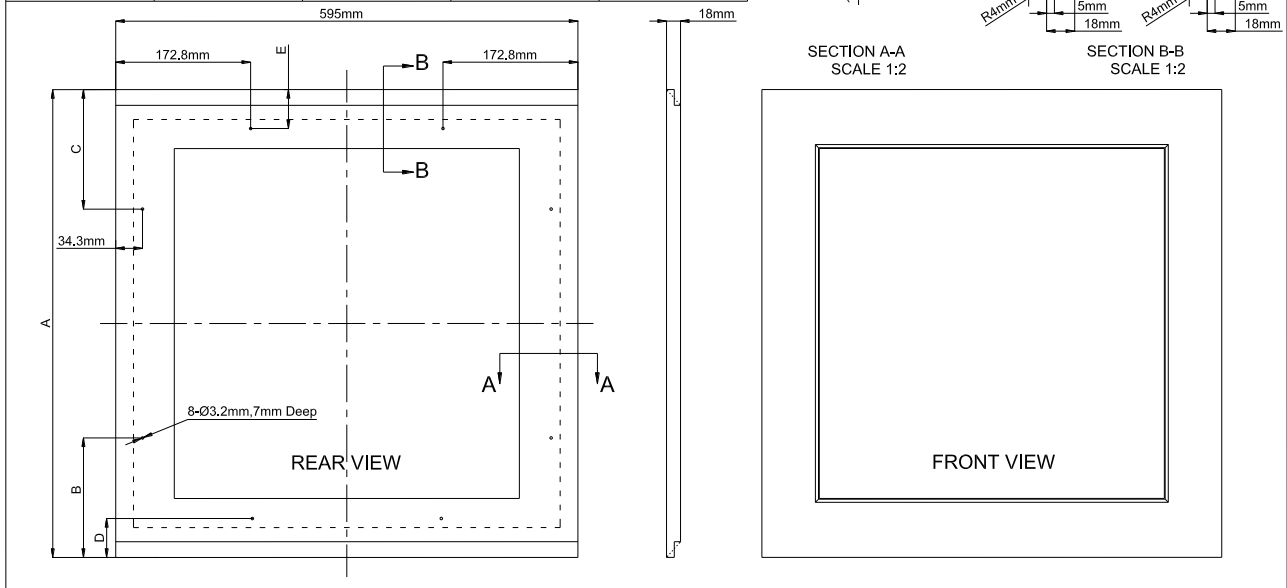
Depending on the wine cellar model prepare the overlay panel to the dimensions shown below. Then attach the handle to the overlay panel by using the flat head screws and drive the screws flush with the panel if needed.

Air at the back of the unit gets warm. The unit is equipped with an integrated ventilation system to disperse the warm air automatically. Air intake is provided underneath the appliance door and the air escapes at the top of the door. The top and bottom section of door panel must be strictly produced as below figure (SECTION B-B) to create the air inlet and outlet. The air inlet and outlet must not be covered or blocked in any way. They must also be regularly cleaned of dust.



Aperture	A (mm)	B (mm)	C (mm)
45cm H	455	449	450
60cm H	595	589	590-593
68cm H	715	678	680-685
88cm H	885	875	877-880
122cm H	1234	1224	1226-1230
178cm H	1784	1773	1775-1780

A	B	C	D	E
455mm	155mm	150mm	51.5mm	46.5mm
595mm	157.5mm	152.5mm	54mm	49mm
715mm	169.5mm	169.5mm	66mm	66mm
885mm	155mm	155mm	51.5mm	51.5mm
1234mm	155mm	155mm	51.5mm	51.5mm
1784mm	155.5mm	155.5mm	52mm	52mm



NOTE:

1. Weight of the overlay panel should not exceed 7 kilograms.
2. It is important to ensure that all drilled holes are drilled to the correct depth in order to avoid splits in the wood when hardware is installed.
3. Drill the handle installation holes in the overlay panel according to the handle you are planning to use. If reusing the handles came with the unit, drill two holes with holes distance same as handle and diameter 5mm in the overlay panel.
4. **WARNING:** If the ventilation gaps given are not observed, the compressor will run more frequently and for longer periods. This will result in increased energy consumption and a higher operating temperature for the compressor. This may, in turn, cause damage to the compressor. It is essential to observe the ventilation gaps given.

Door Panel Installation

- Remove the door gasket (4) completely from glass door (2). Start in a corner and pull outward. This may take some force. Set gasket down on a flat surface for later installation.
- Attach the wood overlay panel (1) on the glass door (2) by using the eight wood screws ST4x32 Type AB Philips (3).
- Install the wood overlay glass door on the unit as normal.

