



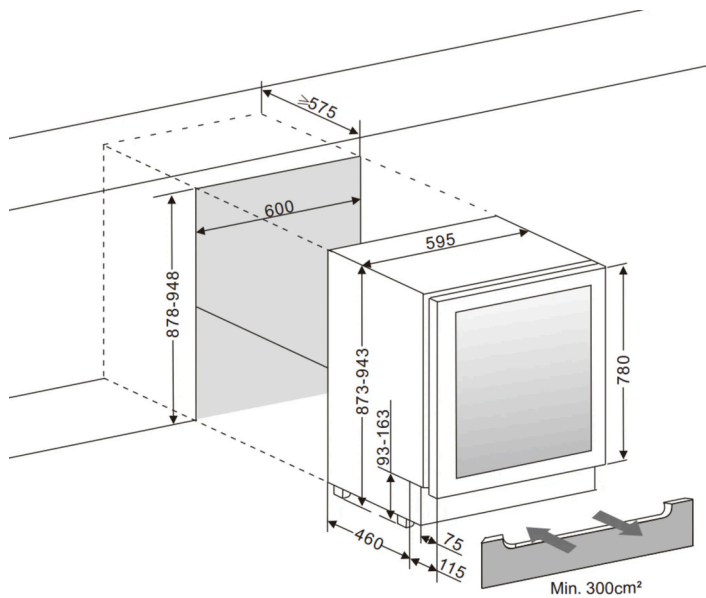
mQuvée



WINECAVE 60D | 780 - mQuvée built-in wine cooler

PRODUCT SPECIFICATION

- Can be built-in under your kitchen counter or free-standing
- 2 adjustable zones (*5-20 degrees*)
- 5 pull-out wooden shelves (*beechwood*)
- Compressor cooling
- Fan cooling for balanced temperature
- Seamless-door (*door without joins*)
- UV-protected glass door
- Reversible glass door



SPACE FOR 45 BOTTLES

SIZE AND DIMENSIONS

- 780 mm door height
- Dimensions: (Width x Height x Depth)
59.5 x 88/95 x 57 cm
- Weight: 51 kg
- Space for 45 bottles

OTHER SPECIFICATION

- Low vibration for perfect storing your wine bottles
- Automatic defrosting
- Winter safety
- Carbon filter
- Water container for additional adjustment of humidity
- ON/OFF-for electricity
- Adjustable feet 8 cm
- LED-lighting with ON/OFF- button
- Digital display for temperature (white)
- Touch-control panel in wine cooler
- Alarm for low/high temperatures
- Alarm for open door

AVAILABLE IN

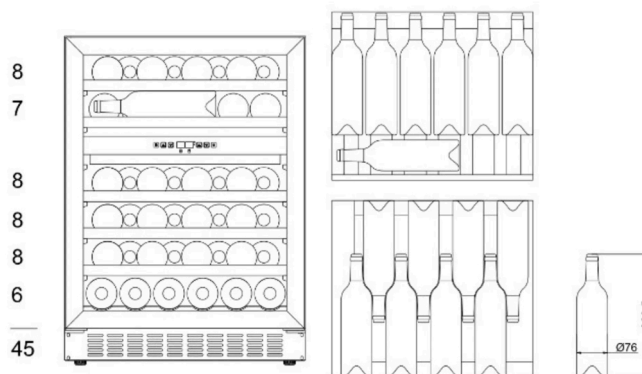
Anthracite black



Stainless steel



Panel ready



TECHNICAL DATA

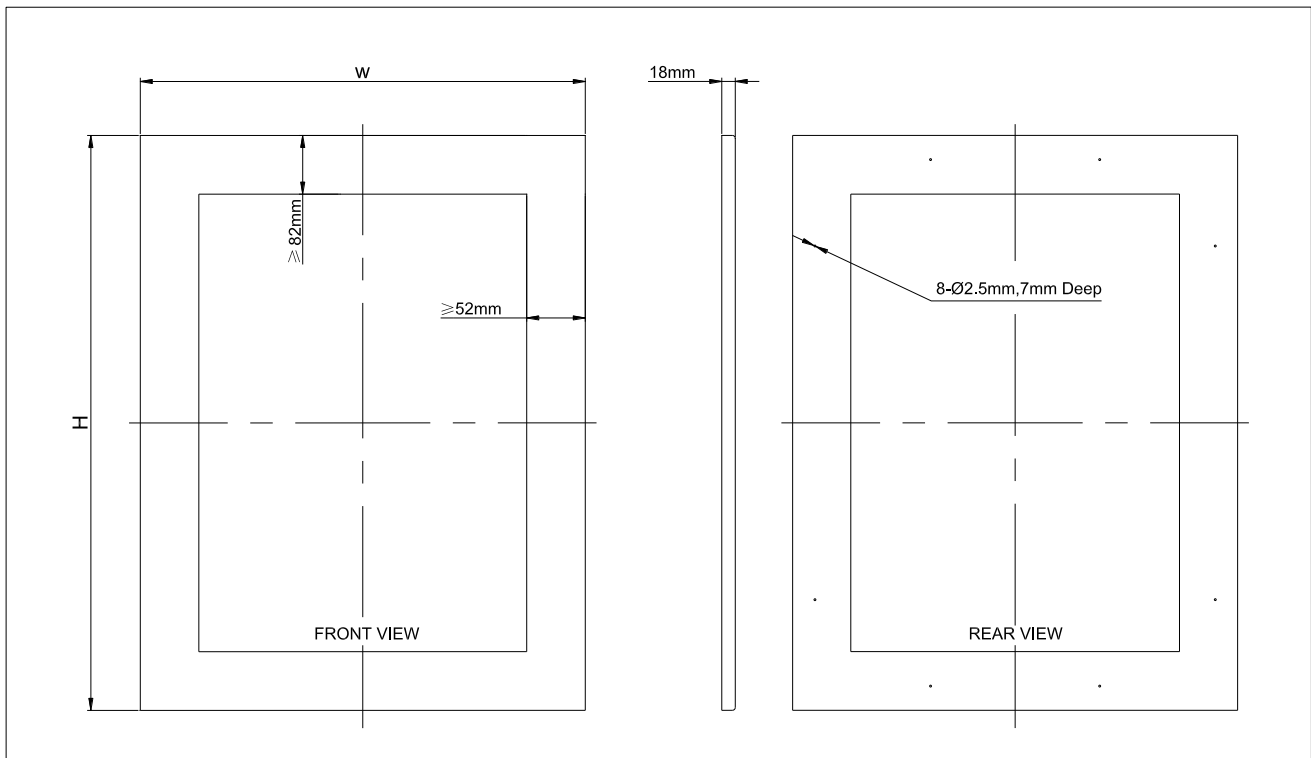
- Voltage: 220-240 V
- Noise level: 36 dB (A)
- Energy class: F
- Climate class: SN-ST
- Effect: 100 W
- Annual power consumption: 104 kWh

Overlay Panel Glass Door Design Guide

- Models with plinth ventilation

Door Panel Preparation

Depending on the wine cellar model prepare the overlay panel to the dimensions shown below. Then attach the handle to the overlay panel by using the flat head screws and drive the screws flush with the panel if needed.



NOTE:

1. H = Height of door + 2mm, W = Width of door + 4mm.
2. Weight of the overlay panel should not exceed 7 kilograms.
3. It is important to ensure that all drilled holes are drilled to the correct depth in order to avoid splits in the wood when hardware is installed.
4. Drill the handle installation holes in the overlay panel according to the handle you are planning to use. If reusing the handles came with the unit, drill two holes with holes distance 490mm and diameter 5mm in the overlay panel.

Door Panel Installation

- ❑ Remove the door gasket (4) completely from glass door (2). Start in a corner and pull outward. This may take some force. Set gasket down on a flat surface for later installation.
- ❑ Attach the wood overlay panel (1) on the glass door (2) by using the eight wood screws ST4x30 Type AB Philips (3).
- ❑ Install the wood overlay glass door on the unit as normal.

