



mQuvée

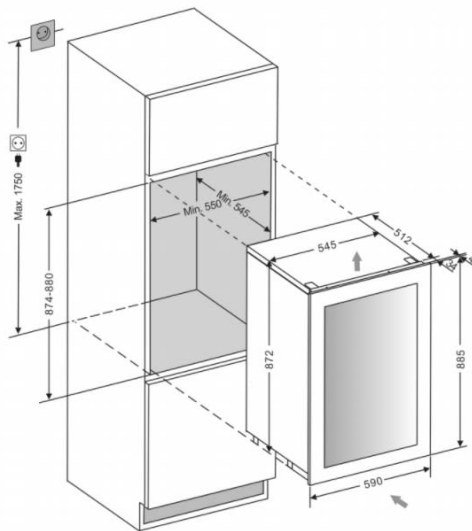


WineKeeper 49D

mQuvée integrated wine cooler

PRODUCT SPECIFICATION

- Can be wholly built-in and integrated
- 2 adjustable zones (5-20 degrees)
- 5 pull-out wooden shelves (beechwood)
- Compressor cooling
- Fan cooling for balanced temperature
- Seamless-door (*door without joins*)
- UV-protected glass door
- Reversible glass door



SPACE FOR 49 BOTTLES

OTHER SPECIFICATION

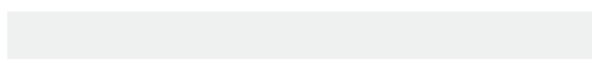
- Low vibration for perfect storing your wine bottles
- Automatic defrosting
- Winter safety
- Carbon filter
- Water container for additional adjustment of humidity
- ON/OFF-for electricity
- Adjustable feet 1 cm
- LED-lighting with ON/OFF- button
- Digital display for temperature (white)
- Touch-control panel in wine cooler
- Alarm for low/high temperatures
- Alarm for open door

AVAILABLE IN

Stainless steel



Powder White

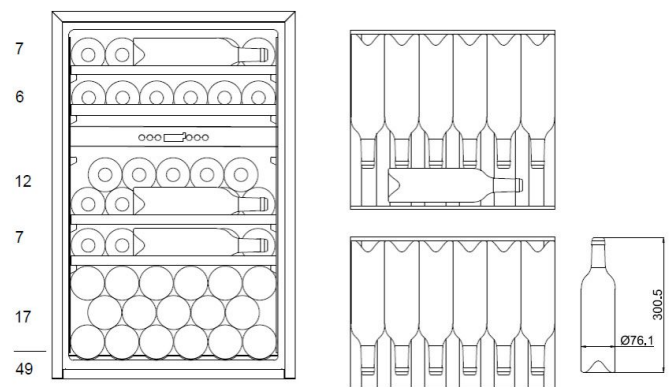


Fullglass black



SIZE AND DIMENSIONS

- Dimensions: (*Width x Height x Depth*)
59 x 88.5 x 55 cm
- Weight: 51 kg
- Space for 49 bottles



TECHNICAL DATA

- Voltage: 220-240 V
- Climate class: ST
- Effect: 100 W
- Energy class: G
- Noise level: 35 dB (A)
- Annual power consumption: 143 kWh