



mQuvée

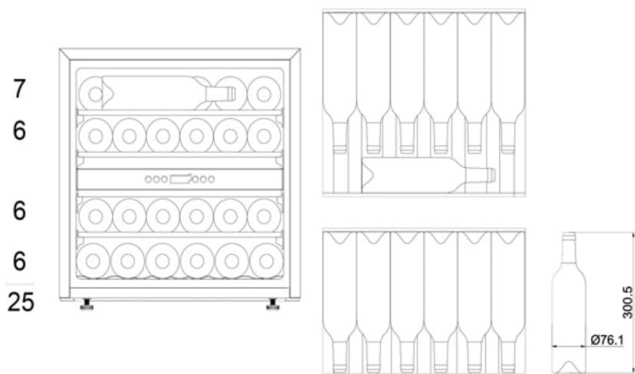
WineKeeper 25D

mQuvée integrated wine cooler



PRODUCT SPECIFICATION

- Can be completely built-in and integrated
- 2 adjustable temperature (5-20 degrees)
- Handleless door (push/pull)
- 3 pull-out wooden shelves with steel front
- Compressor cooling
- Fan cooling for balanced temperature
- Seamless door (without joins)
- UV-protected glass door (grey-tinted)
- Reversible door



SPACE FOR 25 BOTTLES

OTHER SPECIFICATION

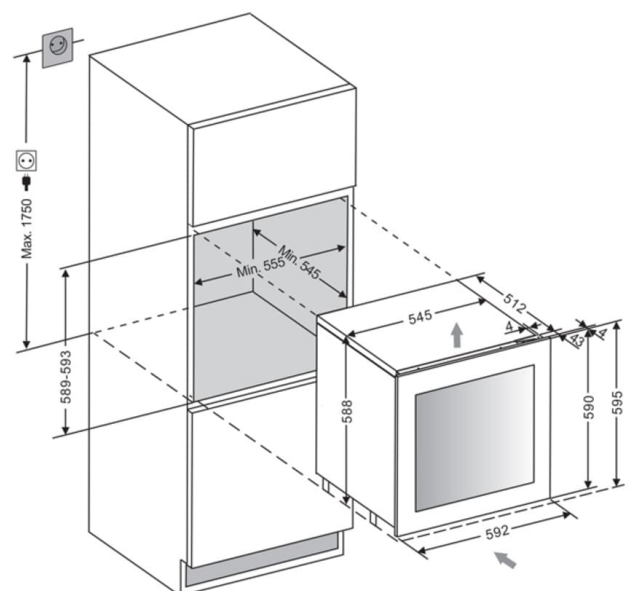
- Low vibration for perfect storing your wine bottles
- Automatic defrost
- Winter-safe system
- Carbon filter to prevent odours
- Water container for additional adjustment of humidity
- ON/OFF-for electricity
- Adjustable feet 1 cm
- LED-lighting with ON/OFF- button
- Digital display for temperature (white)
- Touch-control panel in wine cooler
- Low/high temperature alarm
- Open door alarm
- Open door alarm

SIZE AND DIMENSIONS

- Dimensions: (Width x Height x Depth)
59.2 x 59.5 x 55.9 cm
- Weight: 42 kg
- Space for 25 bottles

TECHNICAL DATA

- Voltage: 220-240 V
- Climate class: SN-ST
- Effect: 100 W
- Annual power consumption: 99 kWh
- Energy class: F
- Noise level: 35 dB



AVAILABLE IN

Anthracite Black



Modern



Stainless steel

