



mQuvée



WineCave Exclusive 60 Fullglass Black mQuvée built-in wine cooler

PRODUCT SPECIFICATION

- Modern black design
- 2 adjustable zones (5-20 degrees)
- 4 sliding wooden shelves with steel front
- Compressor cooling
- UV-protected door with push-pull mechanism
- Fan cooling for balanced temperature (interior)
- Seamless-door (door without joints)
- Practical hinge that minimises the door's swing radius

OTHER SPECIFICATION

- Low vibration for perfect storage of your wine bottles
- Automatic defrost
- Winter-safe system
- Reversible door
- Carbon filter to prevent odours
- Water container for additional adjustment of humidity
- Adjustable feet (8 cm)
- ON/OFF power button
- White LED light with ON/OFF button
- Digital temperature display (white)
- Touch-control panel in the wine cooler
- Low/high temperature alarm
- Open door alarm

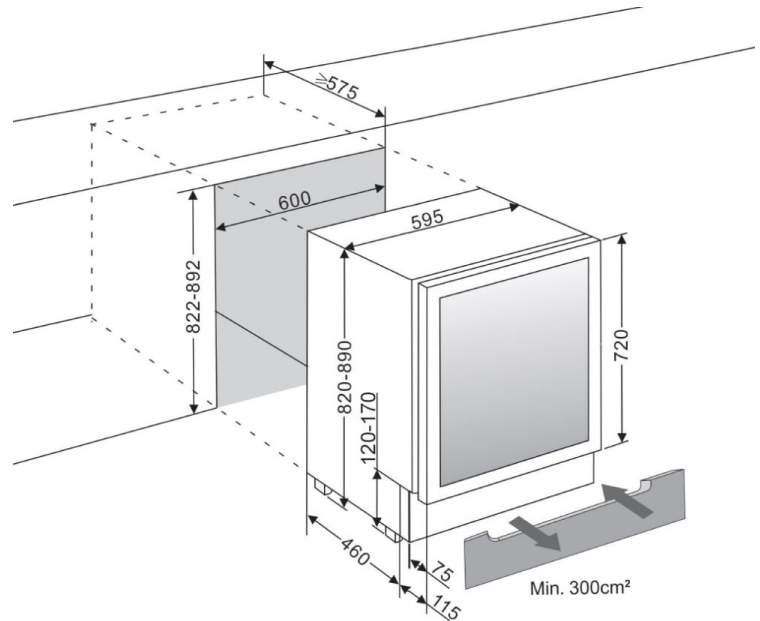
TECHNICAL DATA

- Voltage: 220-240 V
- Annual energy consumption: 103 kWh
- Sound level: 36 dB
- Energy efficiency rating: Class F
- Climate class: SN-ST
- Output: 100 W

SIZE AND DIMENSIONS

- 720 mm door height
- Dimensions: (*Width x Height x Depth*)
59.5 x 82/89 x 55.5 cm
- Weight: 50 kg
- Space for 45 bottles

SPACE FOR 45 BOTTLES



AVAILABLE IN

Fullglass black

