



mQuvée

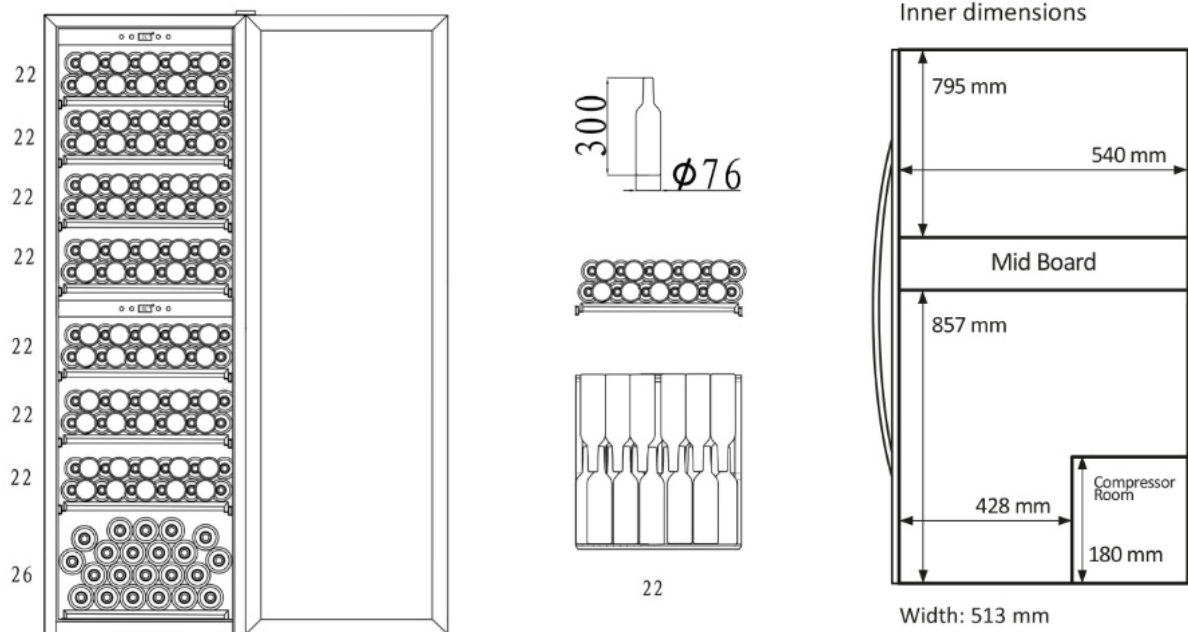


## WINEEXPERT 180

- mQuvée free-standing cooler

### PRODUCT SPECIFICATION

- Free-standing wine cooler
- 2 Adjustable zones (*5-20 degrees*)
- 8 pull-out wooden shelves (*beechwood*)
- Compressor cooling
- Fan cooling for balanced temperature
- UV-protected glass door



## SPACE FOR 180 BOTTLES

### AVAILABLE IN

Stainless steel



Anthracite Black



### SIZE AND DIMENSIONS

- Dimensions: (*Width x Height x Depth*)  
59,5 x 187 x 69.5 cm
- Weight: 89 kg
- Space for 180 bottles

### TECHNICAL DATA

- Voltage: 220-240 V
- Climate class: ST
- Energy class: G
- Noise level: 42 db(A)
- Annual power consumption: 299 kW

### OTHER SPECIFICATION

- Low vibration for perfect storing your wine bottles
- Automatic defrosting
- Winter safety system
- ON/OFF-for electricity
- LED-lighting with ON/OFF- button
- Digital display for temperature (white)
- Control panel in wine cooler